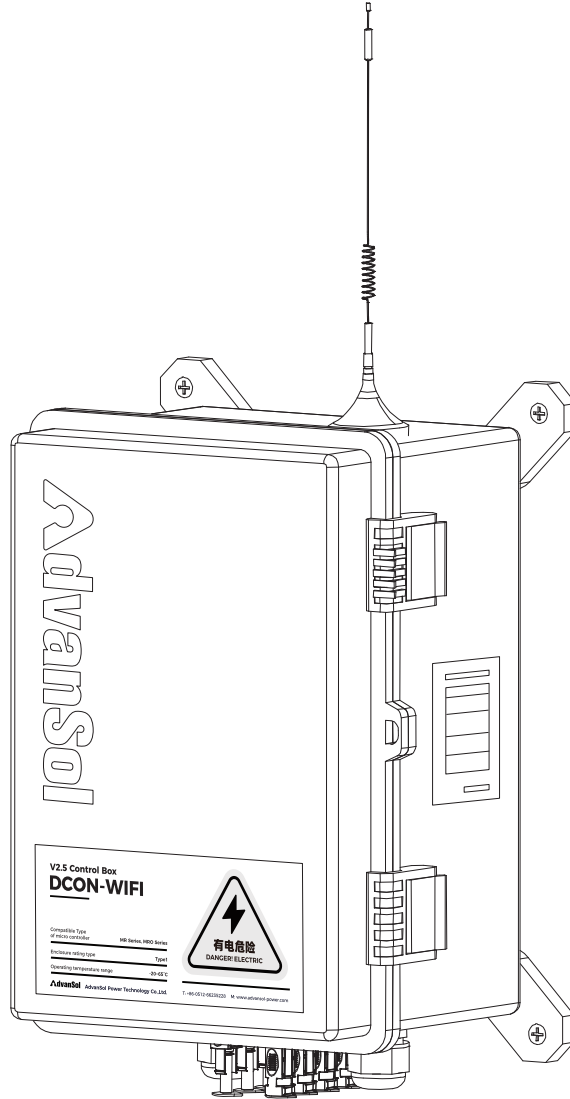


V2.5 Control Box DCON-WIFI

Installation Guide



The Installation and Verification of V2.5 system control (Solution MRO/MR)

Installation and Verification
MRO/MR Series Micro controller



Installation and inspection of
V2.5 Data Control Box DCON-WIFI



Solution MR/MRO
System Setting

Note: Please strictly follow this guide for installation and operation, otherwise the performance and warranty may be affected by some wrong operations.

1. Packing List

Guidelines

1. MC Layout Diagram
2. Installation Guide of V2.5 Control Box DCON-WIFI
3. Solution MR System Setting

MC4 Terminal

MC4 terminals embedded in the sponge

S: 5 pairs
M: 13 pairs
L: 21 pairs

Sponge

Don't leave MC4 terminals in it when discard it

SN Label

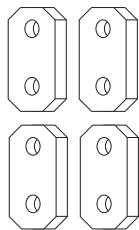
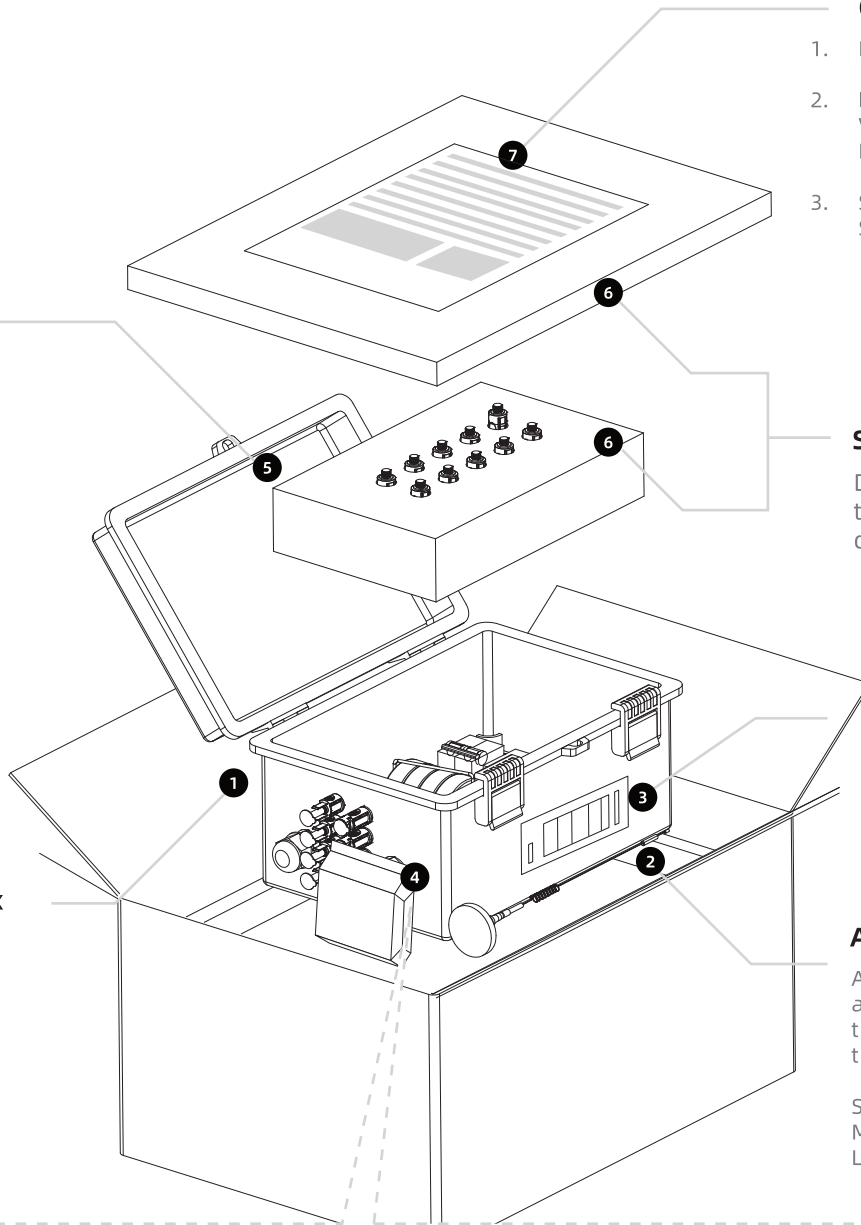
DCON_SN QR code for Acloud setting

Antenna

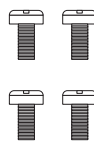
Antenna and Control Box are wired. Don't break the wiring when take out the box.

S: 1
M: 3
L: 5

V2.5 Control Box DCON-WIFI



Fastener*4

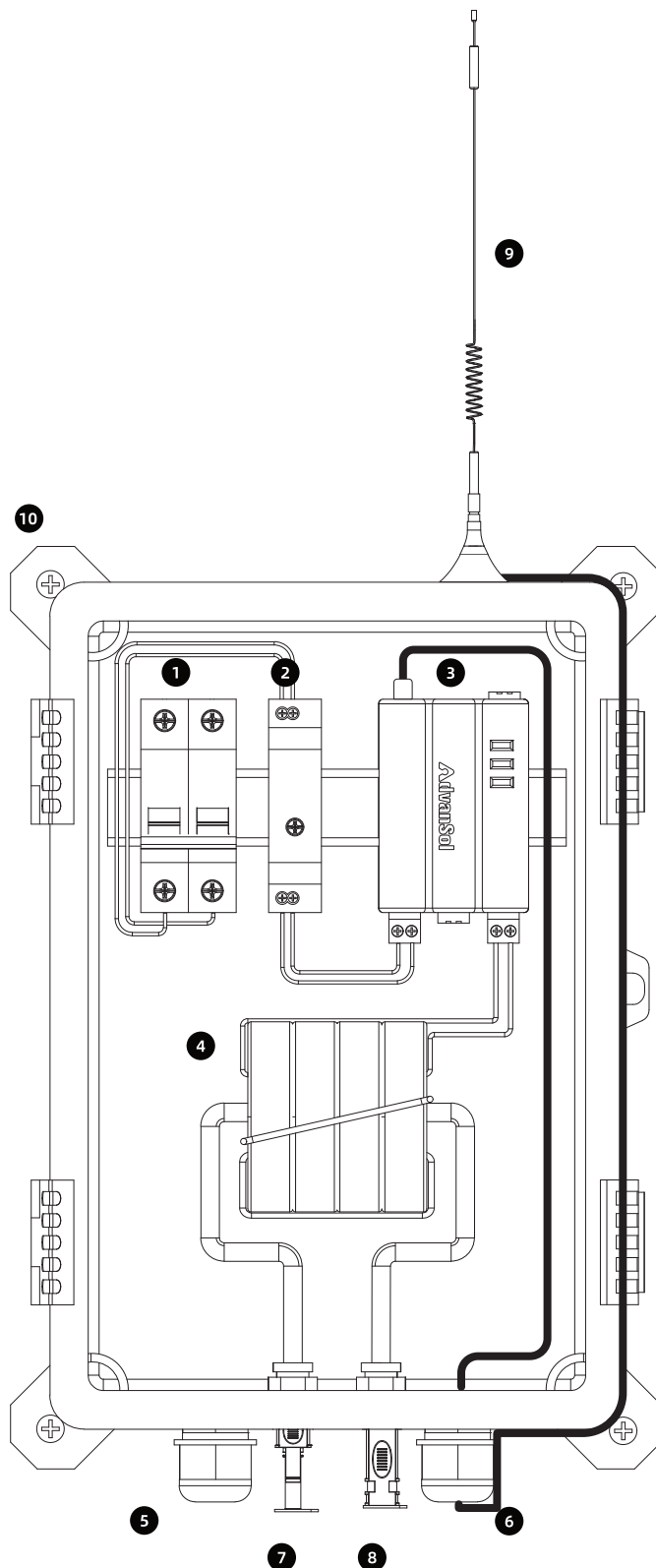


Screw*4



MC4 terminal pin
S*5pairs M*13pairs L*21pairs

2. Product Introduction



Please check whether the internal wiring and accessories of the control box are well fixed and intact

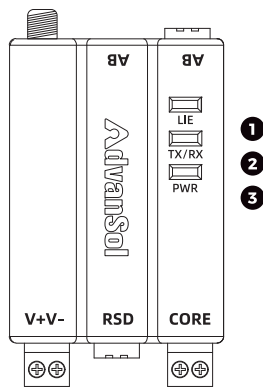
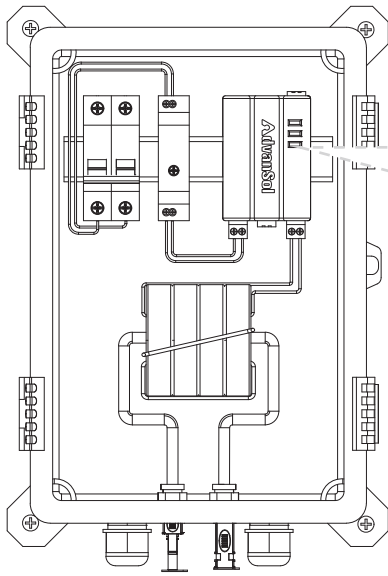
- 1 Breaker*1
EA9AN2C16
- 2 12V Switching Power Supply (S*1 M*3 L*5)
HDR-15-12
- 3 DCON-WIFI*1 (S*1 M*3 L*5)
APT-DCON-4G/WIFI
- 4 Magnetic Ring (S*4 M*12 L*20)
T68
- 5 Waterproof Joint A
- 6 Waterproof Joint B
- 7 MC4 terminal Male (S*4 M*12 L*20)
- 8 MC4 terminal Female (S*4 M*12 L*20)
- 9 Antenna(S*1 M*3 L*5)
- 10 Fastener*4

Taking the V2.5 Control Box DCON-WIFI Small as an example

3. Installation Requirements

1 Please install V2.5 Control Box after installing the Micro Controllers;

2 When the system is running correctly, the PWR and TX/RX lights are on and the LIE light is flashing;



APT-DCON-WIFI

No.	1	2	3
Type	WIFI	PLC	Power
Color	Blue	Green	Red
On	/	On	Power up
Off	Disconnected	Off	Power off
Flash	Connected	/	/

3 It is prohibited to change the position and the cable length of the rings;

4 The communication distance between the Control Box and the farthest micro controller:
one-way cable length $\leq 300\text{m}$;

5 The strings in the same MPPT under the inverter should be connected to the same APT-DCON-WIFI data controller (if the photovoltaic system is equipped with ASP, this item can be ignored);

6 Please use the equipment in the V2.5 data control box with caution to avoid human damage;

7 Please take protective measures before installation;

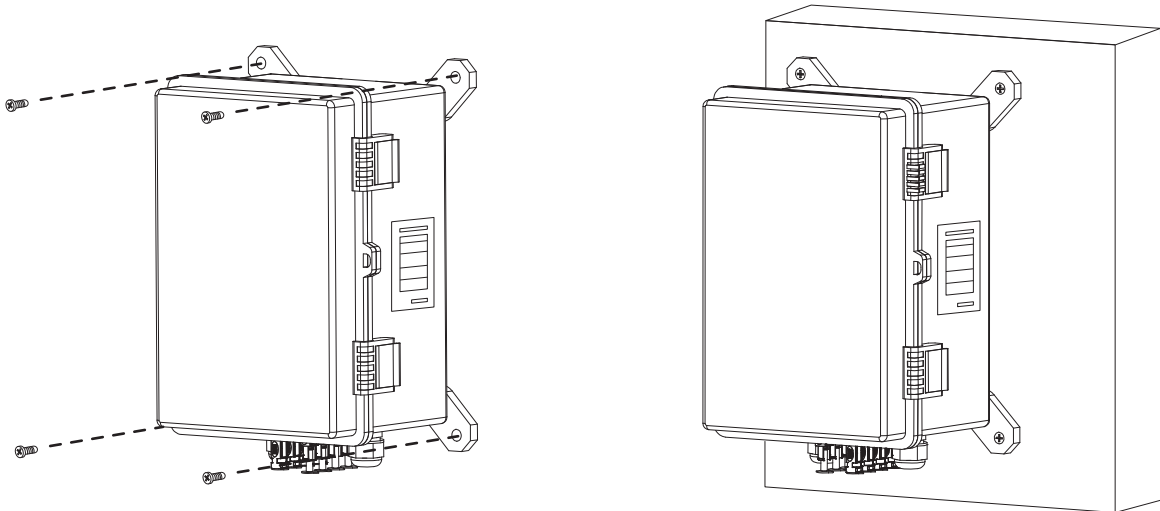
4. Installation Procedures

Note

1. Before installation, please make sure that the DC end of the inverter is turned off, the power of the data control box is turned off, and protective measures are taken before construction;

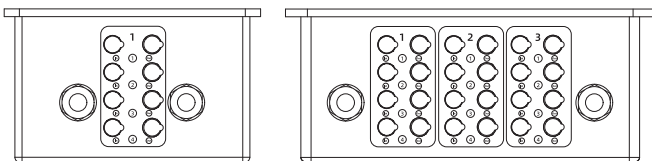
2. The data control box is installed on the DC cable between the PV inverter and the PV array, usually close to the inverter side;

2 Fix the Control Box on the wall or bracket with fasteners and screws.

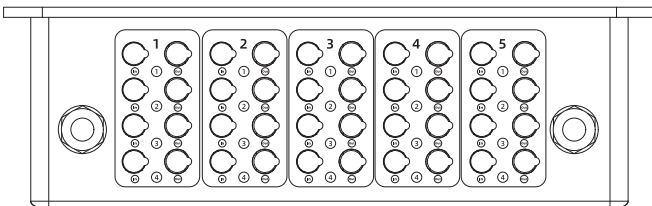


2 Each set of MC4 terminals for one DCON-4G/WIFI

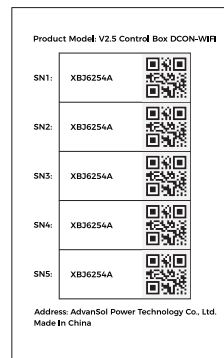
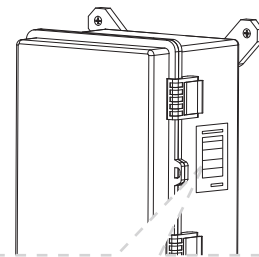
The DCON-WIFI SN on the side of the Control Box match the number of MC4 terminal sets on the bottom



S: 1 set MC4 terminals For 4 18.DC string negative wires
M: 3 set MC4 terminals For 12 DC string negative wires



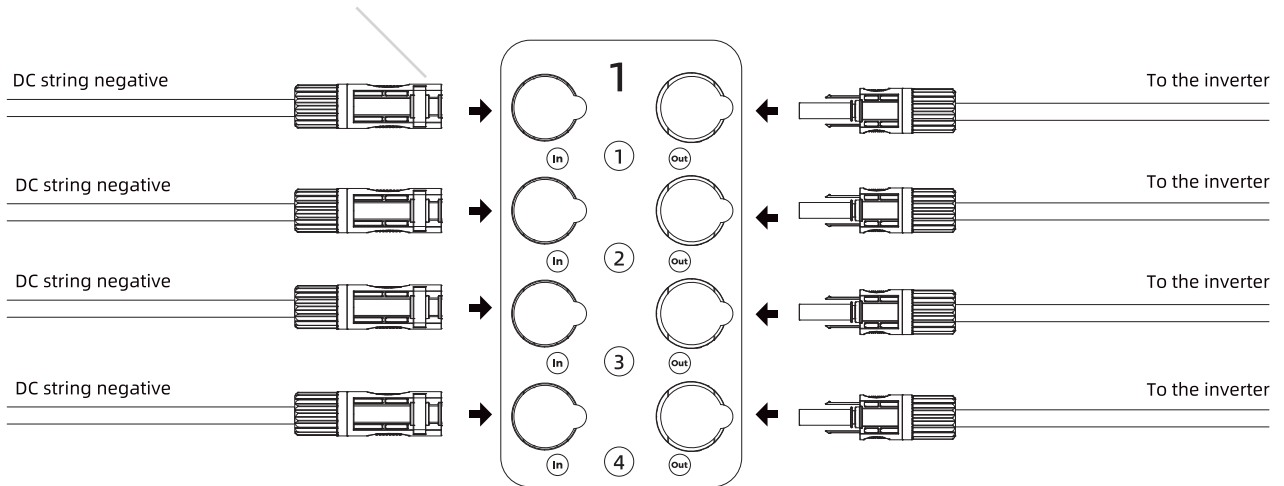
L: 5 set MC4 terminals For 20 DC string negative wires



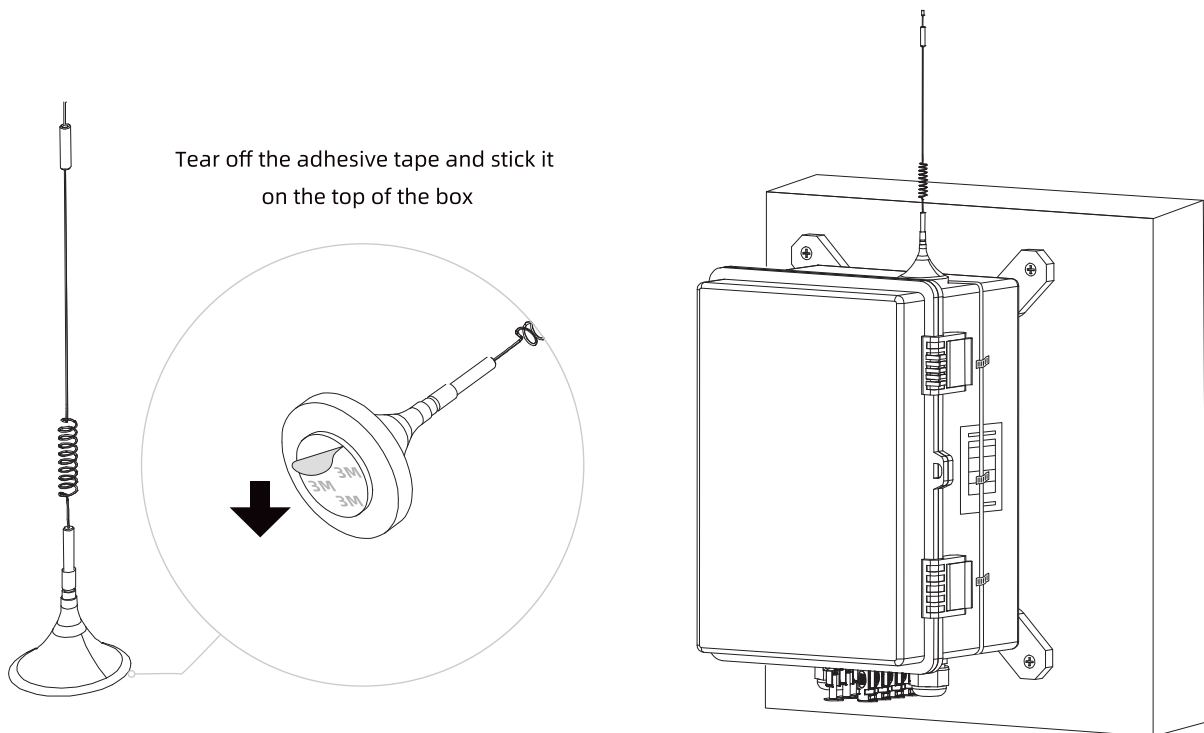
QR Code on the side of the box
DCON_SN1&2&3&4&5 stands for the No. on the bottom of the box1&2&3&4&5

- 3 Please match each set of MC4 terminals with according strings;
The positive wires go directly to the inverter, and negative wires go to one side of MC4 terminals first, and then to the inverter from another side of MC4 terminals.

Note: Please use the equipped MC4 terminals

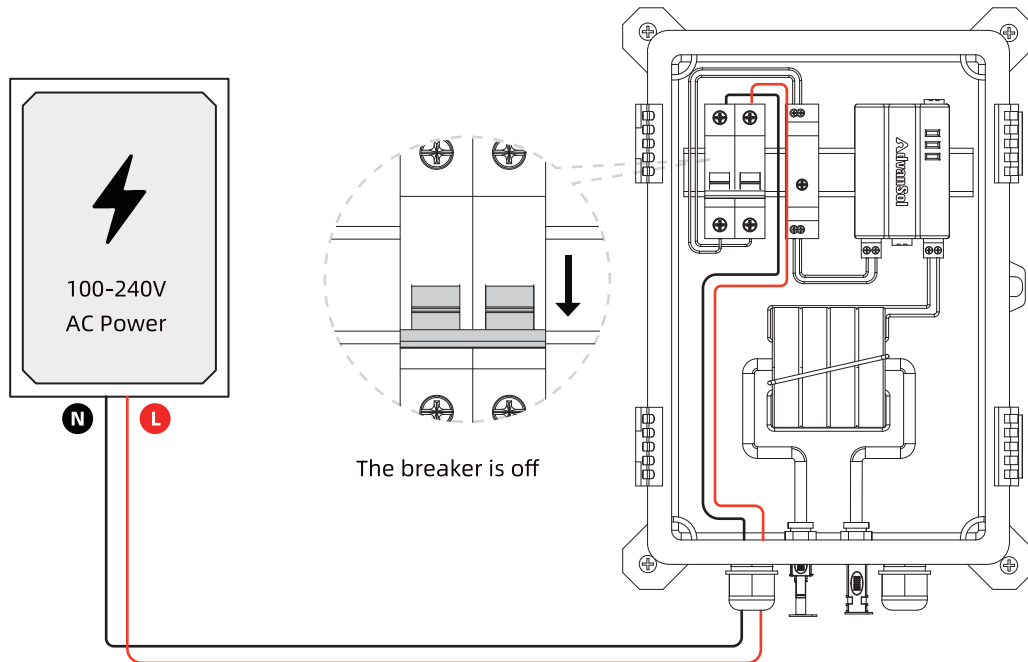


- 4 Please fix the antenna in an appropriate position

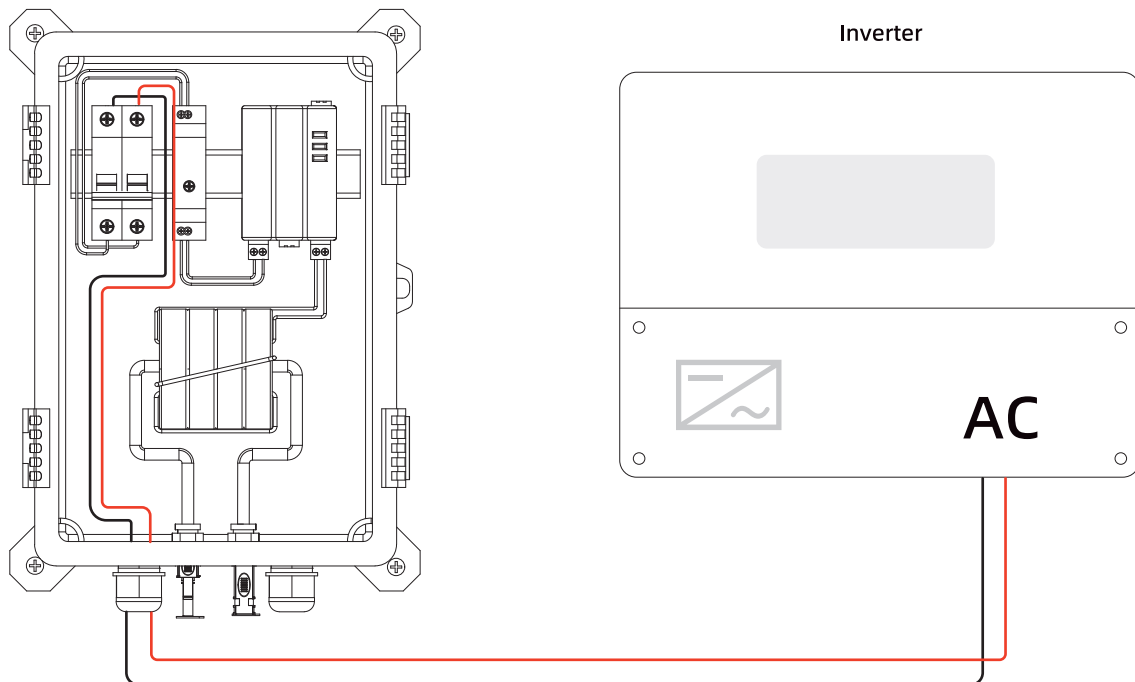


- 5 Make sure the breaker is off, connect the 100-240V AC power through the waterproof joint A and to the upper end of the breaker.

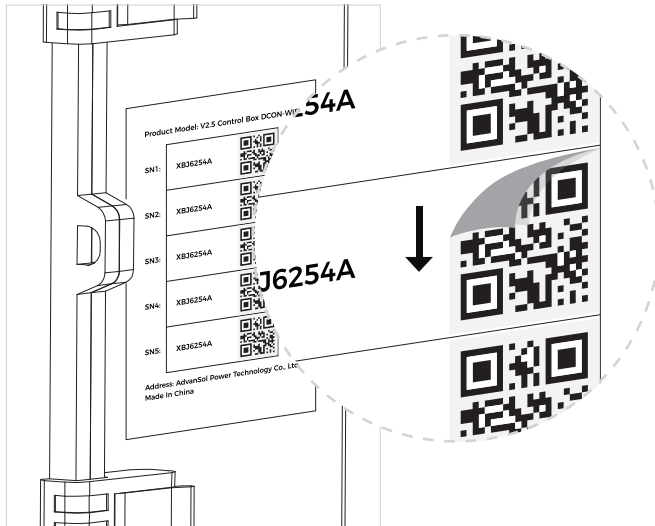
Note: If the Emergency Button Kit is installed, please connect the AC power supply to the emergency button. Please refer to the Installation Guide for Emergency Button Kit for detailed steps.



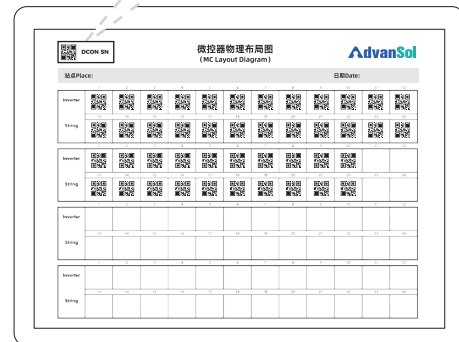
Recommendation: Priority should be given to using the AC-side power supply of the inverter to power the V2.5 control box.



6 Stick the DCON-WIFI SN QR code on the MC Layout Diagram



Tear off the DCON SN and stick it on the top left corner of the MC Layout Diagram



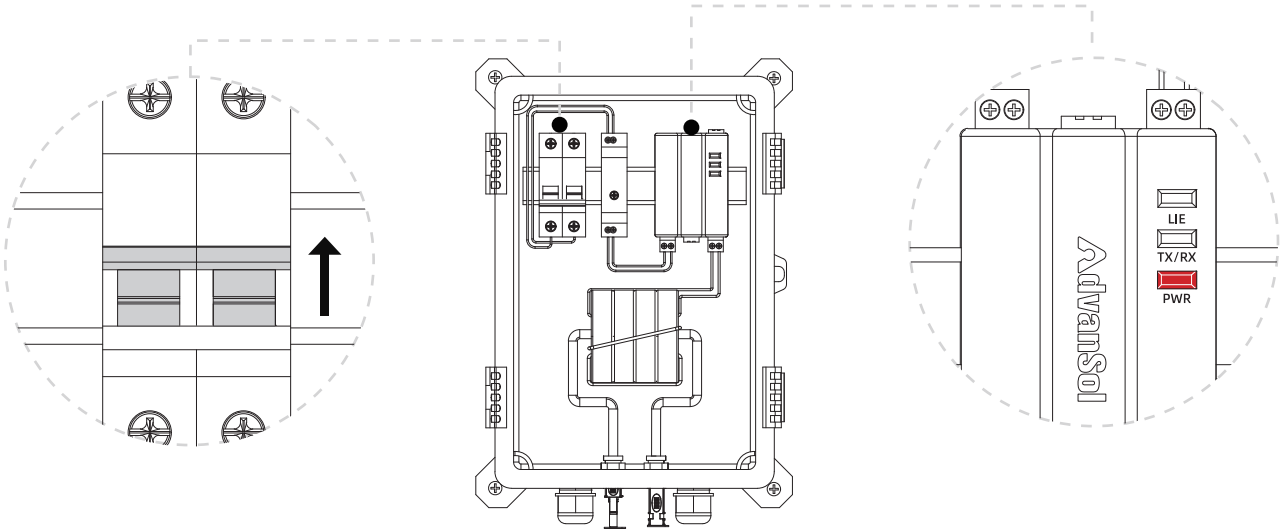
Note: Please correspond to the microcontroller installed in its subordinate string.

Note: The MC Layout Diagram is inside the packing box. Please go to AdvanSol website for copies if you lost it
AdvanSol Web-Download Center-Service Download Center-The MC Layout Diagram
https://www.advansol-power.com/ServicesDownload_en.html

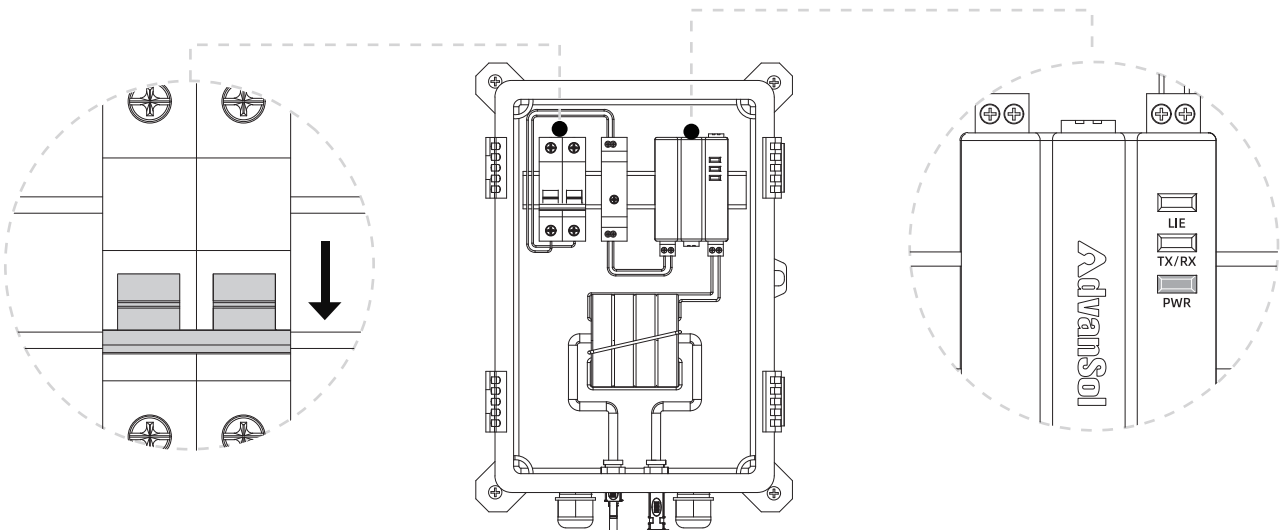
- 1 Please make sure the main body and all accessories of the box is well fixed

5. Installation Verification

- 2 Turn on the breaker, the PWR light of DCON-WIFI on



- 2 Turn off the circuit breaker and verify that the APT-DCON-WIFI PWR indicator light turns red



The V2.5 data control box has been installed

Contact us

If you have any technical questions on AdvanSol products, or need other language files, please contact us for help.

AdvanSol Power Technology Co.,Ltd

8 Floor, Building 2, 36 Zijing Street, Wuzhong District,
Suzhou City, China

☎ +86-512-662352

🌐 www.advansol-power.com

✉ service@advansol-power.com



Friendly reminder: Please scan the QR code to access versions in other languages.